



GOMMA Series

Distribution assemblies

GOMMA Series

> DISTRIBUTION ASSEMBLIES



> VERSIONS

	Empty units
	Distribution assemblies - Portable - With cable and plug
	Two-front units distribution assemblies - 3+3 socket outlets - 4+4 socket outlets

> REFERENCE STANDARDS

EN 60670-1
Boxes and enclosures for electrical accessories for household and similar fixed electrical installation
Part 1: general requirements.

EN 60439-1
Assembled protective and control equipment for low voltages (BT boards)
Part 1: prescriptions for mass production equipment (AS) and custom-made equipment (ANS).

EN 60439-4
Assembled protective and control equipment for low voltages (BT boards)
Part 4: special prescriptions for assembled equipment during works (ASC).

> TECHNICAL CHARACTERISTICS

Protection degree:	IP44
Operating temperature according to the reference standard:	-25°C+40°C
Max operating temperature:	60°C
Glow Wire test:	960°C
IK degree at 20°C:	IK09 (distribution assemblies) IK10 (empty units)
Terminal blocks fixing possibility:	Yes
DIN rail fixing:	Yes
Power output:	max. 18KW
Material:	Rubber
Colour:	Black

> BEHAVIOUR WITH CHEMICAL AND ATMOSPHERIC AGENTS (DISTRIBUTION ASSEMBLIES)

Saline solution	Acids		Bases		Solvents				Mineral oil	UV rays
	Concentrated	Diluted	Concentrated	Diluted	Hexane	Benzol	Acetone	Alcohol		
Resistant	Limited Resistance	Resistant	Limited Resistance	Resistant	Not Resistant	Not Resistant	Not Resistant	Limited Resistance	Resistant	Resistant

> BEHAVIOUR WITH CHEMICAL AND ATMOSPHERIC AGENTS (EMPTY UNITS)

Saline solution	Acids		Bases		Solvents				Mineral oil	UV rays
	Concentrated	Diluted	Concentrated	Diluted	Hexane	Benzol	Acetone	Alcohol		
Resistant	Resistant	Resistant	Resistant	Resistant	Resistant	Resistant	Resistant	Resistant	Resistant	Resistant

> EMPTY RUBBER PANELS - IP54

GOMMA Series

Type	DIN modules	Dimension mm (***)	Dissipated power (*)			
Portable with handle	12	380x260x130mm	20W	6		690.4200-00
Surface mounting without handle	12	380x260x130mm	20W	6		692.4200-00
						
2 windows, (**) portable with handle	24	400x400x275	-	1		692.4201-00
1 window, (**) portable with handle	2	235x235x180	-	1		692.4202-00
1 window, (**) portable with handle	10	270x270x231	-	1		692.4203-00
						
Empty units	-	210x260x98	-	1		692.4204-00
Portable with handle	-	380x130x83	-	1		692.4205-00
Portable with handle	-	230x130x70	-	1		692.4206-00

(*) According to CEI 23-49 italian standard.

(**) Also available without windows.

(***) Without handle.

GOMMA Series

> TWO FRONT UNIT - IP54

GOMMA Series



Description	Dimensions mm	Dissipated power (*)			
Double sided unit	325x260x196	14+14W	1		692.4300-00
Tubolar stand with anchor plates	Ø 80x1000		1		692.4330

(*) According to CEI 23-49 italian standard.

> RUBBER VERSIONS WITH 4-5 SOCKET OUTLETS - IP44

GOMMA Series



Available sockets 16A					Power supply		Protection devices						Portable with cable and plug
					Current	Poles	MAIN		MCB 16A				
2P+E	3P+E	3P+N+E	2P+E	2P+E			MT	DIFF 30mA	1P	1P+N	3P	4P	
5					16A	2P+E		2P 25A	5*	1			690.4200-300
2	2				32A	3P+N+E		4P 40A	2(10A)		2(10A)		690.4200-292
	4					3P+E		4P 40A			2		690.4200-295
2		1		1		3P+N+E		4P 40A	3			1	690.4200-301

(*) Isolator.






Distribution assemblies TTA

- EUREKA Series plug
- 3 m rubber cable H07RN-F
- 1:1

> RUBBER VERSIONS WITH 4 + 4 SOCKET OUTLETS - IP44






GOMMA Series



Available sockets 16A					Power supply		Protection devices		Double sides units
					Current	Poles	MCB 1P+N - 2A	RCD 30mA	
4+4							4+4	2 4P 25A	692.4300-69
4+4							4+4		692.4300-70

> RUBBER VERSIONS WITH 3 + 3 SOCKET OUTLETS - IP44

GOMMA Series

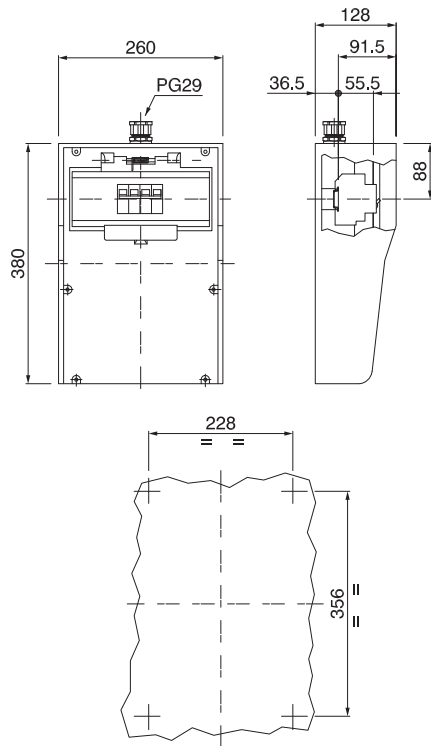
Available sockets 16A					Power supply		Dispositivi di protezione		Double sides units
					Current	Poles	MCB 1P+N - 2A	RCD 30mA	
3+3							3+3	2 4P 25A	692.4300-305

Note: This is just a small selection of our full range. Please contact your SCAME dealer for versions with other industrial or domestic socket outlets (Italian, German, British, French and other international standards).

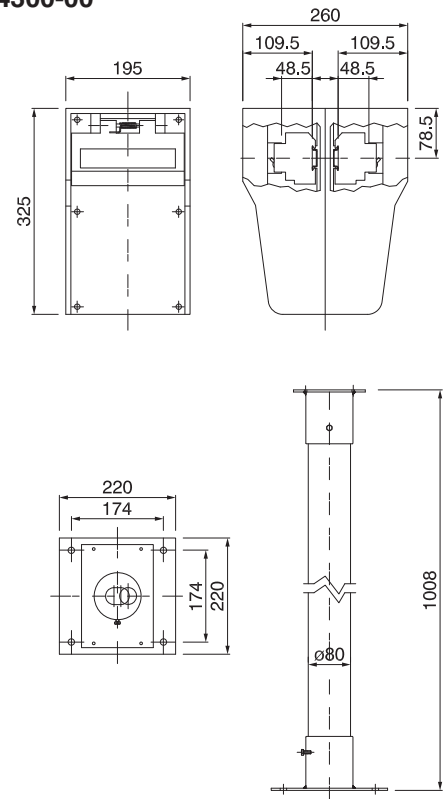


GOMMA Series

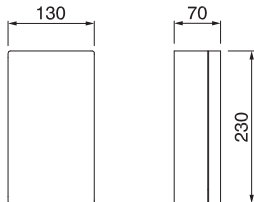
690.4200-00



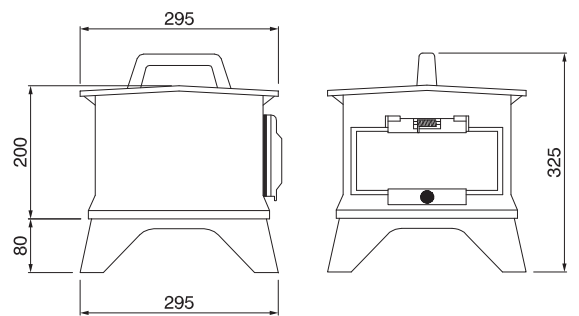
692.4300-00



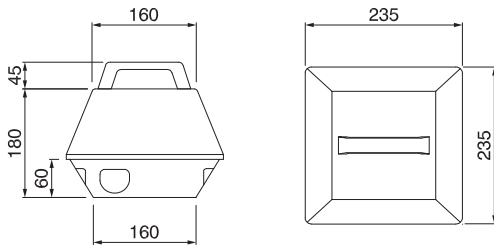
692.4206-00



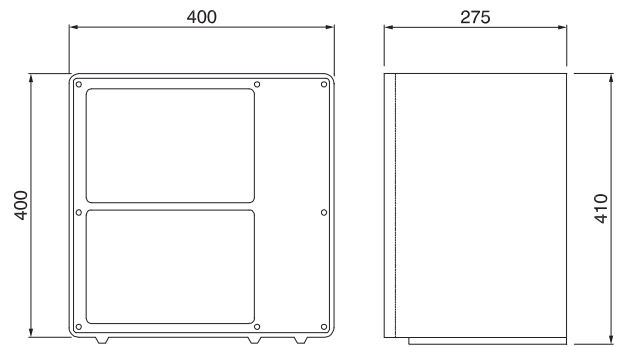
692.4203-00



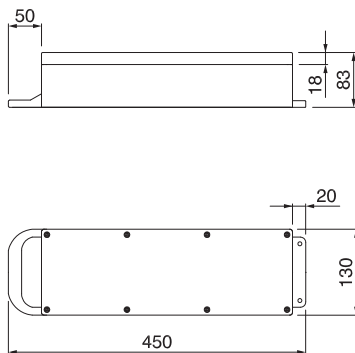
692.4202-00



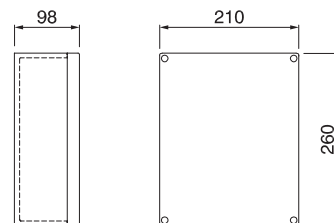
692.4201-00



692.4205-00



692.4204-00



ZP00739-GB-1
8 001636 409023



ScameOnLine
www.scame.com
export@scame.com



SCAME PARRE S.p.A.
VIA COSTA ERTA, 15
24020 PARRE (BG) ITALY
TEL. +39 035 705000
FAX +39 035 703122

